

Air suction channel



Air intake duct for compressors

To prevent excessive pressure, dust or exhaust gases from getting into the compressor, all ROWEKO air intake ducts are designed so that the air is sucked in from areas of the vehicle that are not near the floor.

The simple installation of the individual components keeps both the shipping and follow-up costs low. All components are available as individual or spare parts.

3 Air suction channel type 3



Size (width x height x depth)

310 x 2150 x 630 mm
Mount hole distance of 300 mm

Material

Polyethylene plastic (HD-PE), black

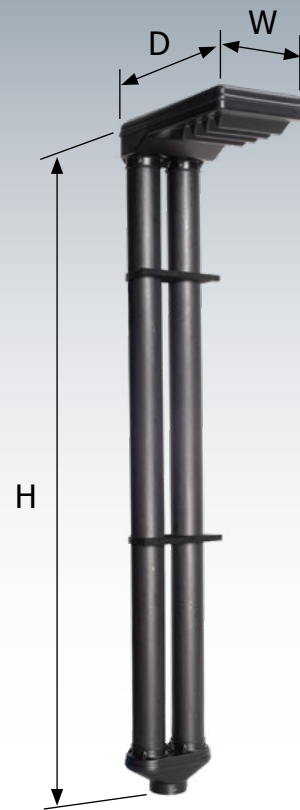
Execution

- 2 tubes with \varnothing of 110 x 2000 mm (standard length), welded with connection piece with \varnothing of 102 or 125 mm
- 2 fastening clips, pre-mounted, height-adjustable
- Cap with ventilation slots, incl. mounting rivets for mounting to suction tubes

Article	Weight [kg]	Part no.	Price [€]
Air suction channel Connecting piece with \varnothing of 102 mm	4.70	600 16 102	
Air suction channel Connecting piece with \varnothing of 125 mm	4.70	600 16 125	



1



2

1 Air suction channel type 1

Size (width x height x depth)

300 x 1600 x 80 mm

Material

Polyethylene plastic (HD-PE), black

Execution

2 halves, welded together, rear smooth,
5 ventilation slots, connecting branch
optionally Ø 110 or 120 mm

Article	Weight [kg]	Part no.	Price [€]
Air suction channel Connecting piece with Ø of 110 mm	3.90	600 18 110	
Air suction channel Connecting piece with Ø of 120 mm	3.90	600 18 120	

2 Air suction channel type 2 for roof suction

Size (width x height x depth)

310 x 2150 x 630 mm

Mount hole distance of 300 mm

Material

Polyethylene plastic (HD-PE), black

Execution

- 2 tubes with Ø of 110 x 2000 mm
(standard length), welded with connec-
tion piece with Ø of 102 – 125 mm
- 2 fastening clips, pre-mounted, height-
adjustable
- Cap with ventilation slots, incl. mounting
rivets for mounting to suction tubes

Article	Weight [kg]	Part no.	Price [€]
Air suction channel type 2 Connecting piece with Ø of 102 mm	7.80	600 19 102	
Air suction channel type 2 Connecting piece with Ø of 125 mm	7.80	600 19 125	

The tubes can be shortened to the desired length.
Excess lengths on request.