



For the secure, weatherproof storage of cargo documents.

The document rolls are available in diameters ranging from 40 to 125 mm. Two types of locks are available: a lockable door or a screw cover. The tube reaches the door at each type of document roll. As a result, there is no barrier caused by an interior seam in the tube. Individual sheets of paper can be easily removed, even with small diameters.

Matching fastening clips or consoles are available as accessories.

Files and folders can be stored in the document boxes.





## Document roll with fixed cover with hinges

### Size

Tube: Ø 70 x 1.9 x 330 mm

Lid: Ø 100 mm

Tube: Ø 90 x 2.2 x 330 mm

Lid: Ø 120 mm

### Material

Polyethylene plastic (HD-PE), black

### Execution

The flange and end cap are welded to the tube. The lid is riveted to the flange with a VA hinge and is locked with a wing knob (standard).

1 key is included.

Article	Weight [kg]	Part no.	Price [€]
<b>Document roll Ø 70 mm</b>			
With wing knob	0.28	<b>461 05 075</b>	
With gag (without key)	0.28	<b>461 05 775</b>	
<b>Document roll Ø 90 mm</b>			
With wing knob	0.40	<b>461 05 090</b>	
With gag (without key)	0.40	<b>461 05 790</b>	

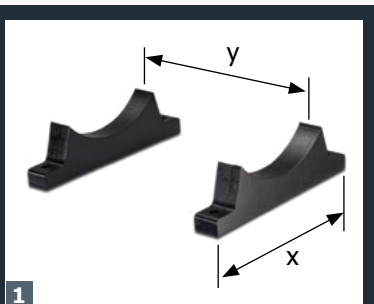
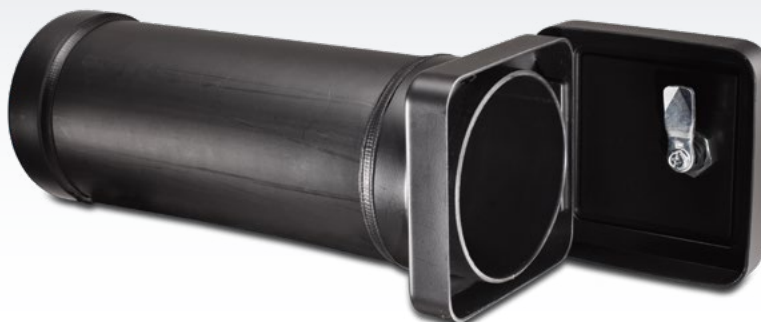
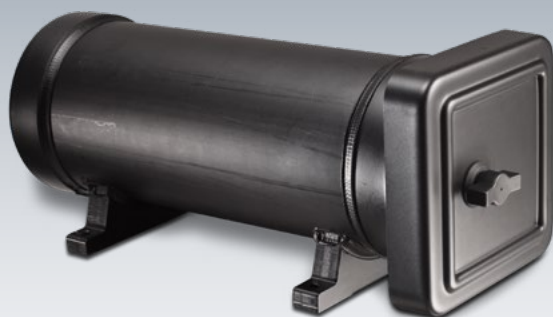
### Accessories

Article	Weight [kg]	Part no.	Price [€]
<b>Fastening console for document roll</b> Black HD-PE If you order the console at the same time, it is automatically welded onto the document roll (hinge catch right, see image). Other mounts are available.			
<b>Tube Ø of 75/90 mm</b>	0.10	<b>461 50 075</b>	
<b>Fastening clip for document roll</b> 2-part, zinc-plated steel with welded nut			
<b>Tube of Ø 75 mm</b>	0.11	<b>461 70 075</b>	
<b>Tube of Ø 90 mm</b>	0.11	<b>461 70 090</b>	

**1** Fastening console

**2** Fastening clip

(two required for each document roll)



1

## Document roll with fixed cover with hinges

### Size

Tube: Ø 125 x 3.1 x 330 mm

Lid: 150 x 150 x 35 mm

Mounting of console to tube:

x = 130 mm, y = 200 mm

### Material

Polyethylene plastic (HD-PE), black

### Execution

The flange and end cap are welded to the tube.

The lid is riveted to the flange with a VA hinge and is locked with a wing knob (standard).

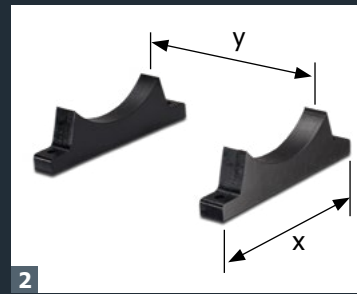
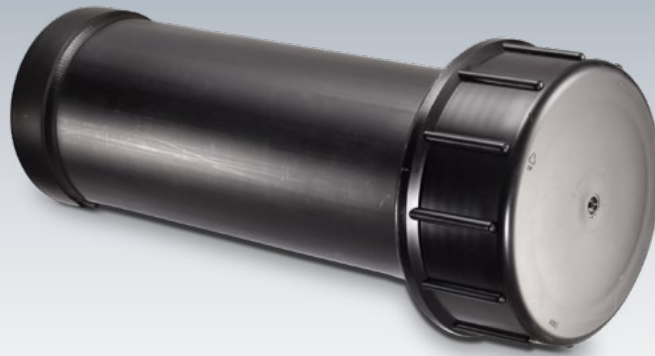
2 keys are included.

Article	Weight [kg]	Part no.	Price [€]
<b>Document roll</b>			
With wing knob	0.79	<b>461 06 000</b>	
With gag (without key)	0.79	<b>461 06 001</b>	

### Accessories

Article	Weight [kg]	Part no.	Price [€]
<b>Fastening console</b>	0.14	<b>461 06 100</b>	
2-part, black HD-PE If you order the console at the same time, it is automatically welded onto the document roll (hinge catch right, see image). Other mounts are available.			

1 Fastening console



## Document roll with screw cover

### Size

Tube: Ø of 40 – 110 mm, length of 330 mm (standard)

Lid: Ø of 55 – 145 mm

### Material

Polyethylene plastic (HD-PE), black

### Execution

The lid (with thread and seal) is welded with the tube from the outside and the end cap is press-fitted into the tube.

Article	Weight [kg]	Part no.	Price [€]
<b>Document roll</b>			
<b>Tube Ø of 40 mm</b>	0.13	<b>461 07 040</b>	
<b>Tube Ø of 50 mm</b>	0.23	<b>461 07 050</b>	
<b>Tube Ø of 63 mm</b>	0.36	<b>461 07 063</b>	
<b>Tube Ø of 75 mm</b>	0.40	<b>461 07 075</b>	
<b>Tube Ø of 90 mm</b>	0.58	<b>461 07 090</b>	
<b>Tube Ø of 110 mm</b>	0.80	<b>461 07 110</b>	

### Accessories

Article	Weight [kg]	Part no.	Price [€]
<b>Fastening clip for document roll</b>			
2-part, zinc-plated steel with welded-on nut			
<b>Tube Ø of 40 mm</b>	0.047	<b>461 70 040</b>	
<b>Tube Ø of 50 mm</b>	0.054	<b>461 70 050</b>	
<b>Tube Ø of 63 mm</b>	0.096	<b>461 70 063</b>	
<b>Tube Ø of 75 mm</b>	0.107	<b>461 70 075</b>	
<b>Tube Ø of 90 mm</b>	0.110	<b>461 70 090</b>	
<b>Tube Ø of 110 mm</b>	0.125	<b>461 70 110</b>	
<b>Fastening console for document roll</b>			
2-part, black HD-PE. If you order the console at the same time, it is automatically welded onto the document roll			
x = 130 mm, y = 200 mm			
<b>Tube-Ø of 110 mm</b>	0.140	<b>461 06 100</b>	

- 1** Screw cover
- 2** Fastening console for tube with Ø of 110 mm
- 3** Fastening clip for tube with Ø of 40 mm to 110 mm (two required for each document roll)



Fig.: With inspection window (surcharge)

## Document box type 1

### Size (width x depth x height)

300 x 85 x 385 mm

### Material

Polyethylene plastic (HD-PE), black

### Execution

The lid (locking with wing knob – standard) is fixed with 2 hinges to the box (riveted).

The hinges and rivets are made from stainless steel (V2A) and the closing angle is made from aluminium. An EPDM seal is also integrated into the lid.

1 key is included.

Article	Weight [kg]	Part no.	Price [€]
<b>Document box</b>			
<b>with wing knob</b>	1.23	<b>460 05 000</b>	
<b>with gag</b> (without key)	1.23	<b>460 05 001</b>	

### Accessories

Article	Weight [kg]	Part no.	Price [€]
<b>Window</b> Made from polycarbonate, 175 x 125 mm, welded in	0.10	<b>460 05 990</b>	



## Document box type 2

### Size (width x depth x height)

355 x 125 x 365 mm

### Material

Polyethylene plastic (HD-PE), black

### Execution

The lid (snap lock) is riveted to the box with 2 hinges.

The hinges, padlock angle, and rivets are made from stainless steel (V2A).

For DIN A4 folder up to 80 mm wide.

Article	Weight [kg]	Part no.	Price [€]
Document box with snap lock	1.20	460 05 600	

### Accessories

Article	Weight [kg]	Part no.	Price [€]
<b>Window</b> Made from polycarbonate, 175 x 125 mm, welded in	0.10	460 05 990	