



## Hose tube container, double

### Material

Polyethylene plastic (HD-PE), black

### Execution

End-fitting and flange are fastened with 8 ea. VA rivets to the tube. The flange is riveted from inside to outside. The cover is riveted with two VA hinges to the flange. The cover is locked as standard with a double-bit security rotary bolt. The locking latch grasps behind the aluminum locking bracket.

### Scope of delivery

Tube complete with assembled/riveted lid (cover with flange) and end-fitting.  
1 two-way key.

### Accessories

- Tube support
- Other locking systems (p. 95)
- Door with flange on both sides
- Intermediate lengths possible

Ø x Thickness [mm]	Weight [kg/m]	Length [m]	Part no.	Price [€]
<b>160 x 3.9</b>	3.90	2.4	<b>110 24 300</b>	
		3.0	<b>110 30 300</b>	
		5.0	<b>110 50 300</b>	
		6.0	<b>110 60 300</b>	
		7.0	<b>110 70 300</b>	
		8.0	<b>110 80 300</b>	
		10.0	<b>110 99 300</b>	
<b>180 x 4.4</b>	4.96	2.4	<b>111 24 300</b>	
		3.0	<b>111 30 300</b>	
		5.0	<b>111 50 300</b>	
		6.0	<b>111 60 300</b>	
		7.0	<b>111 70 300</b>	
		10.0	<b>111 99 300</b>	
<b>200 x 4.9</b>	6.10	2.4	<b>112 24 300</b>	
		3.0	<b>112 30 300</b>	
		5.0	<b>112 50 300</b>	
		6.0	<b>112 60 300</b>	
		7.0	<b>112 70 300</b>	
		8.0	<b>112 80 300</b>	
		10.0	<b>112 99 300</b>	
<b>250 x 6.2</b>	9.66	2.4	<b>114 24 300</b>	
		5.0	<b>114 50 300</b>	
		6.0	<b>114 60 300</b>	
		7.0	<b>114 70 300</b>	



1



Custom-made product  
On request

2

## Hose tube container, double

### 1 Fastening clip

#### Material

Stainless steel, HD-PE black

#### Execution

3-piece, comprising:

- Bend return 50 x 3 mm, glossy
- Cover plate
- Coach bolt DIN 603, M10 with flat washer and self-locking nut

#### Fixing advice

Max. distance between clips 1.5 m,  
e.g. 5 m tube = at least 4 clips

### 2 Door and end cap

#### Material

Polyethylene plastic (HD-PE), black

#### Execution

Fully mounted door with flange, incl. security lock and 1 key (standard: double bit), end cap separate.

Other locking systems (p. 95)

### Accessories

Article for Ø [mm]	Weight [kg]	Part no.	Price [€]
<b>Fastening clip</b>			
160	1.09	<b>410 00 001</b>	
180	1.21	<b>411 00 001</b>	
200	1.33	<b>412 00 001</b>	
250	1.45	<b>414 00 001</b>	
<b>VA screws for mounting on vehicle (set)</b>			
M8 x 20 (4 pieces)	0.08	<b>419 00 002</b>	

### Spare parts

Article for Ø [mm]	Weight [kg]	Size [mm]	Part.- No.	Price [€]
<b>Door with flange</b>				
160	0.83	185 x 350 x 35	<b>410 00 302</b>	
180	0.96	215 x 385 x 35	<b>411 00 302</b>	
200	1.04	230 x 425 x 35	<b>412 00 302</b>	
250	1.56	290 x 540 x 35	<b>414 00 302</b>	
<b>End cap</b>				
160	0.27		<b>410 00 005</b>	
180	0.33		<b>411 00 005</b>	
200	0.40		<b>412 00 005</b>	
250	0.51		<b>414 00 005</b>	
<b>HD-PE tube, black</b>				
40 - 1000			<b>On request</b>	



## Hose tube container, triple

### Material

Polyethylene plastic (HD-PE), black

### Execution

End-fitting and flange are fastened with 12 ea. VA rivets to the tube. The flange is riveted from inside to outside. The cover is riveted with three VA hinges (for Ø 160 mm with two hinges) to the flange. The cover is locked as standard with two double-bit security rotary bolts. The locking latches grasp behind the aluminum locking bracket.

### Scope of delivery

Tube complete with assembled/riveted lid (cover with flange) and end-fitting.  
2 two-way key.

### Accessories

- Tube support
- Other locking systems (p. 95)
- Door with flange on both sides
- Intermediate lengths possible

Ø x Thickness [mm]	Weight [kg/m]	Length [m]	Part no.	Price [€]
<b>160 x 3.9</b>	5.85	2.4	<b>120 24 300</b>	
		3.0	<b>120 30 300</b>	
		5.0	<b>120 50 300</b>	
		6.0	<b>120 60 300</b>	
		7.0	<b>120 70 300</b>	
		8.0	<b>120 80 300</b>	
		10.0	<b>120 99 300</b>	
<b>180 x 4.4</b>	7.44	2.4	<b>123 24 300</b>	
		5.0	<b>123 50 300</b>	
		6.0	<b>123 60 300</b>	
		7.0	<b>123 70 300</b>	
		10.0	<b>123 99 300</b>	
<b>200 x 4.9</b>	9.15	2.4	<b>122 24 300</b>	
		3.0	<b>122 30 300</b>	
		5.0	<b>122 50 300</b>	
		6.0	<b>122 60 300</b>	
		7.0	<b>122 70 300</b>	
		8.0	<b>122 80 300</b>	
		10.0	<b>122 99 300</b>	



1



2

## Hose tube container, triple

### 1 Fastening Clip

#### Material

Stainless steel, HD-PE schwarz

#### Execution

3-piece, comprising:

- Bend return, 50 x 3 mm, glossy
- Cover plate,
- Coach bolt DIN 603, M10 with flat washer and self-locking nut

#### Fixing advice

Max. distance between clips of 1.5 m, e.g. 5 m tube = at least 4 clips

### 2 Door and end cap

#### Material

Polyethylene plastic (HD-PE), black

#### Execution

Fully mounted door with flange incl. 2 security locks and 2 keys (standard: double bit), end cap separate.

Other locking systems (p. 95)

### Accessories

Article for Ø [mm]	Weight [kg]	Part.- No.	Price [€]
<b>Fastening clip</b>			
160	1.45	<b>420 00 001</b>	
<b>VA screws for mounting on vehicle (set)</b>			
M8 x 20 (4 pieces)	0.08	<b>419 00 002</b>	

### Spare parts

Article for Ø [mm]	Weight [kg]	Size [mm]	Part.- No.	Price [€]
<b>Door with flange</b>				
160	1.28	185 x 515 x 35	<b>420 00 302</b>	
180	1.53	215 x 580 x 35	<b>423 00 302</b>	
200	1.64	230 x 640 x 35	<b>422 00 302</b>	
200 With rounded corners	1.52	230 x 640 x 35	<b>422 00 382</b>	
<b>End cap</b>				
160	0.43		<b>420 00 005</b>	
180	0.45		<b>423 00 005</b>	
200	0.52		<b>422 00 005</b>	
<b>HD-PE tube, black</b>				
40 - 1000			<b>On request</b>	



## Compact hose tube container, triple

### Material

Polyethylene plastic (HD-PE), black

### Execution

End-fitting and flange are fastened with 9 ea. VA rivets to the tube. The flange is riveted from inside to outside. The cover is riveted with two VA hinges to the flange. The cover is locked standard with a double-bit security rotary bolt. The locking latches grasp behind the aluminum locking bracket.

### Scope of delivery

Tube complete with assembled/riveted lid (cover with flange) and end-fitting.  
1 two-way key.

### Accessories

- Other locking systems (p. 95)
- Door with flange on both sides
- Intermediate lengths possible

Ø x Thickness [mm]	Weight [kg/m]	Length [m]	Part no.	Price [€]
<b>160 x 3.9</b>	5.85	2.4	<b>121 24 300</b>	
		3.0	<b>121 30 300</b>	
		5.0	<b>121 50 300</b>	
		6.0	<b>121 60 300</b>	
		7.0	<b>121 70 300</b>	
		8.0	<b>121 80 300</b>	
		10.0	<b>121 99 300</b>	
<b>200 x 4.9</b>	9.15	2.4	<b>124 24 300</b>	
		3.0	<b>124 30 300</b>	
		5.0	<b>124 50 300</b>	
		6.0	<b>124 60 300</b>	
		7.0	<b>124 70 300</b>	
		8.0	<b>124 80 300</b>	
		10.0	<b>124 99 300</b>	



## Compact hose tube container, triple

### Door with flange and end cap

#### Material

Polyethylene plastic (HD-PE), black

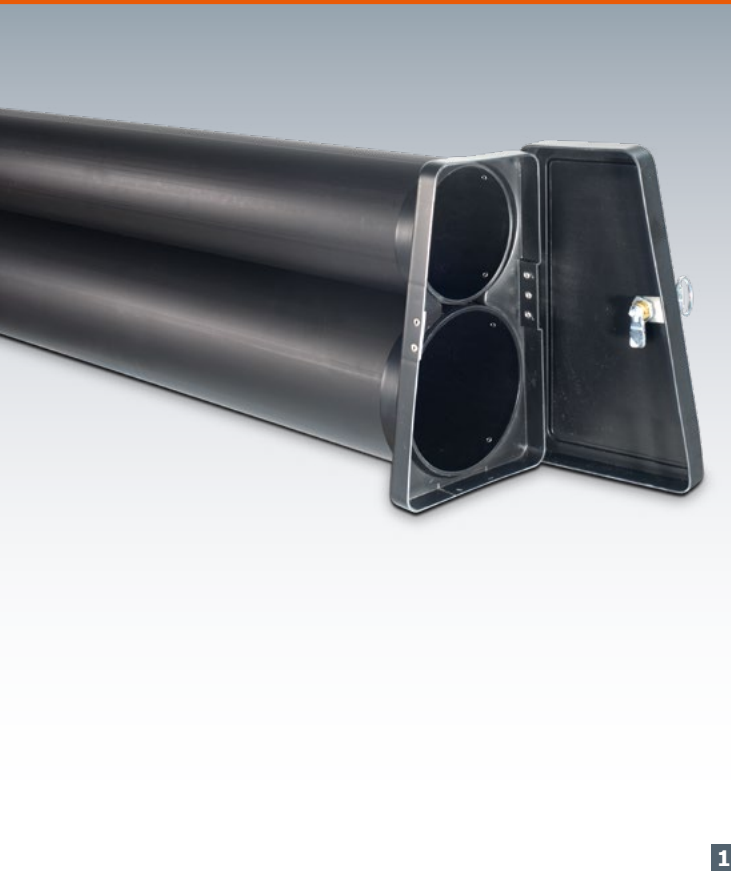
#### Execution

Fully mounted door with flange incl. security lock (double bit) and 1 key. End cap separate.

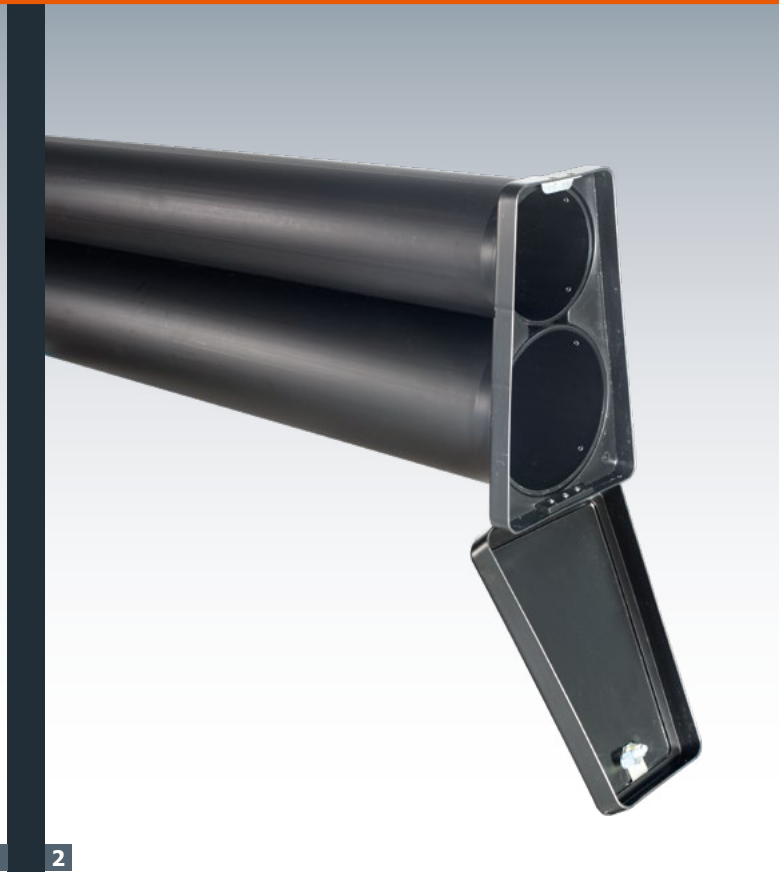
Other locking systems (p. 95)

### Spare parts

Article for Ø [mm]	Weight [kg]	Size [mm]	Part no.	Price [€]
<b>Door with flange</b>				
160	0.97	350 x 330 x 35	<b>421 00 302</b>	
200	1.28	430 x 415 x 40	<b>424 00 302</b>	
<b>End cap</b>				
160	0.40		<b>421 00 005</b>	
200	0.48		<b>424 00 005</b>	
<b>HD-PE tube, black</b>				
40 – 1000			<b>On request</b>	



1



2

## Hose tube container, combination, double

### Material

Polyethylene plastic (HD-PE), black

### Execution

Ø of bottom tube: 200 x 4.9 mm

Ø of top tube: 160 x 3.9 mm

End-fitting and flange are fastened with 8 ea. VA rivets to the tube. The flange is riveted from inside to outside. The cover is riveted with a VA hinge to the flange. The cover is locked standard with a double-bit security rotary bolt. The locking latches grasp behind the aluminum locking bracket.

### Scope of delivery

Tube complete with assembled/riveted lid (cover with flange) and end-fitting, buffer tank, 1 two-way key.

### Accessories

- Tube support
- Other locking systems (p. 95)
- Door with flange on both sides
- Intermediate lengths possible

### 1 Hinge on the side

Article	Weight [kg/m]	Length [m]	Part no.	Price [€]
Hinge on the side	5.00	2.4	130 24 301/2	
		3.0	130 30 301/2	
		5.0	130 50 301/2	
		6.0	130 60 301/2	
		7.0	130 70 301/2	
		8.0	130 80 301/2	
		10.0	130 99 301/2	

Hinge on the left (= 1) or right (= 2)

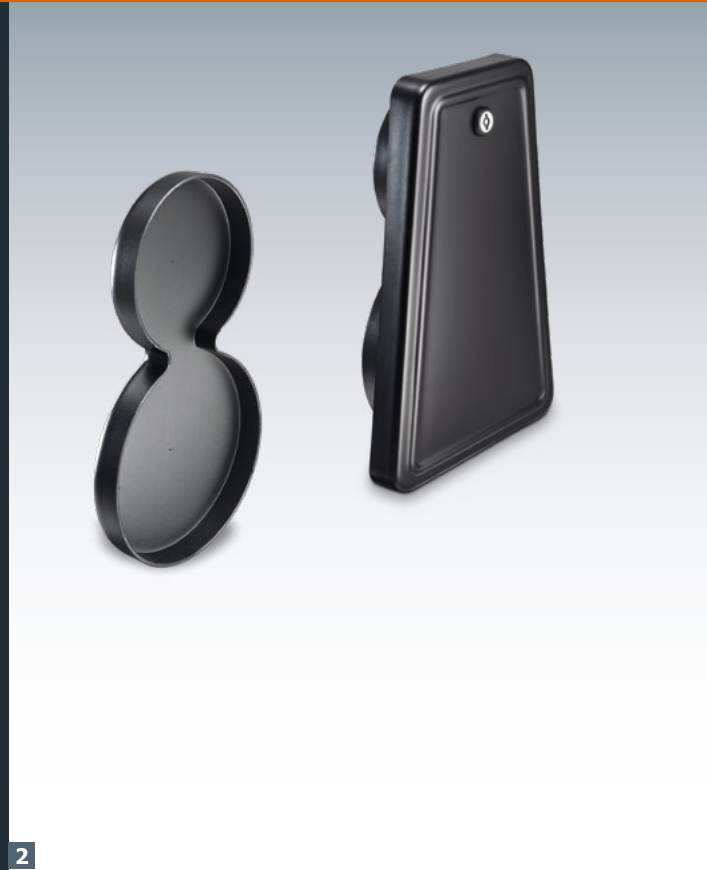
### 2 Hinge at the bottom

Article	Weight [kg/m]	Length [m]	Part no.	Price [€]
Hinge at the bottom	5.00	2.4	131 24 300	
		3.0	131 30 300	
		5.0	131 50 300	
		6.0	131 60 300	
		7.0	131 70 300	
		8.0	131 80 300	
		10.0	131 99 300	





1



2

## Hose tube container, combination, double

### 1 Fastening clip

#### Material

V2A 40 x 4 mm electropolished

#### Execution

1-piece with mounting plate, no screws

#### Assembly instructions

Max. distance between clips of 1.5 m,  
e.g. 5 m tube = at least 4 clips

### 2 Door with flange, end cap, tube

#### Material

Polyethylene plastic (HD-PE), black

#### Execution

Fully mounted door with flange incl.  
security lock and 1 key (standard: double  
bit), end cap separate.

Other locking systems (p. 95)

### Accessories

Article for Ø [mm]	Weight [kg]	Part no.	Price [€]
<b>Fastening clip</b>			
200/160	1.43	<b>430 00 001</b>	

### Spare parts

Article for Ø [mm]	Weight [kg]	Size [mm]	Part no.	Price [€]
<b>Door with flange</b>				
Hinge on the left side	0.91	245 x 390 x 35	<b>430 00 301</b>	
Hinge on the right side	0.91	245 x 390 x 35	<b>430 00 302</b>	
Hinge at the bottom	0.91	245 x 390 x 35	<b>431 00 302</b>	
<b>End cap</b>	0.31		<b>431 00 005</b>	
<b>HD-PE tube, black</b>				
40 – 1000			<b>On request</b>	