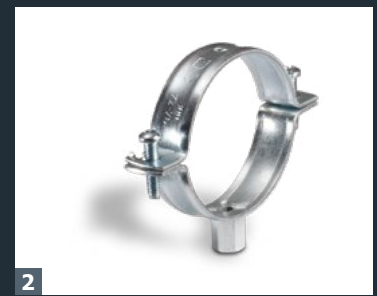




1



2

Document roll with fixed cover with hinges

Size

Tube: Ø 70 x 1.9 x 330 mm

Lid: Ø 100 mm

Tube: Ø 90 x 2.2 x 330 mm

Lid: Ø 120 mm

Material

Polyethylene plastic (HD-PE), black

Execution

The flange and end cap are welded to the tube. The lid is riveted to the flange with a VA hinge and is locked with a wing knob (standard).

1 key is included.

Article	Weight [kg]	Part no.	Price [€]
Document roll Ø 70 mm			
With wing knob	0.28	461 05 075	
With gag (without key)	0.28	461 05 775	
Document roll Ø 90 mm			
With wing knob	0.40	461 05 090	
With gag (without key)	0.40	461 05 790	

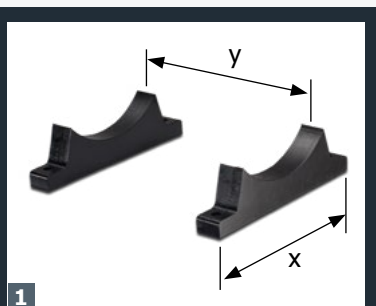
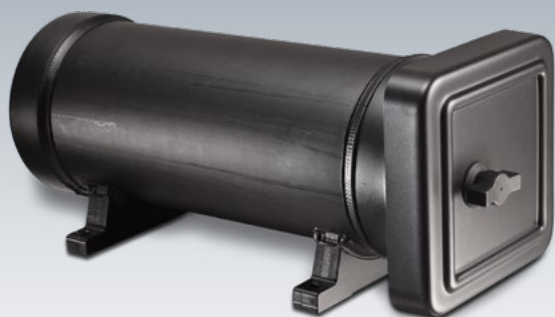
Accessories

Article	Weight [kg]	Part no.	Price [€]
Fastening console for document roll Black HD-PE If you order the console at the same time, it is automatically welded onto the document roll (hinge catch right, see image). Other mounts are available.			
Tube Ø of 75/90 mm	0.10	461 50 075	
Fastening clip for document roll 2-part, zinc-plated steel with welded nut			
Tube of Ø 75 mm	0.11	461 70 075	
Tube of Ø 90 mm	0.11	461 70 090	

1 Fastening console

2 Fastening clip

(two required for each document roll)



1

Document roll with fixed cover with hinges

Size

Tube: Ø 125 x 3.1 x 330 mm

Lid: 150 x 150 x 35 mm

Mounting of console to tube:

x = 130 mm, y = 200 mm

Material

Polyethylene plastic (HD-PE), black

Execution

The flange and end cap are welded to the tube.

The lid is riveted to the flange with a VA hinge and is locked with a wing knob (standard).

2 keys are included.

Article	Weight [kg]	Part no.	Price [€]
Document roll			
With wing knob	0.79	461 06 000	
With gag (without key)	0.79	461 06 001	

Accessories

Article	Weight [kg]	Part no.	Price [€]
Fastening console	0.14	461 06 100	
2-part, black HD-PE If you order the console at the same time, it is automatically welded onto the document roll (hinge catch right, see image). Other mounts are available.			

1 Fastening console